



晶讯软件
JINGXUNSOFT

Shenzhen Jingxun Software Telecommunication Technology Co.,Ltd

IPBM-03

(MESH8267-03,MESH8269-03)

Datasheet

MESH Bluetooth Low Energy (BLE) 4.0 Module

Module No.: IPBM-03/MESH8267-03/MESH8269-03

Version: V2.0

Date: 2018-05-08

Addr: 3/F,A5 Building Zhiyuan Community No.1001, Xueyuan Road, Nanshan District,Shenzhen City,China

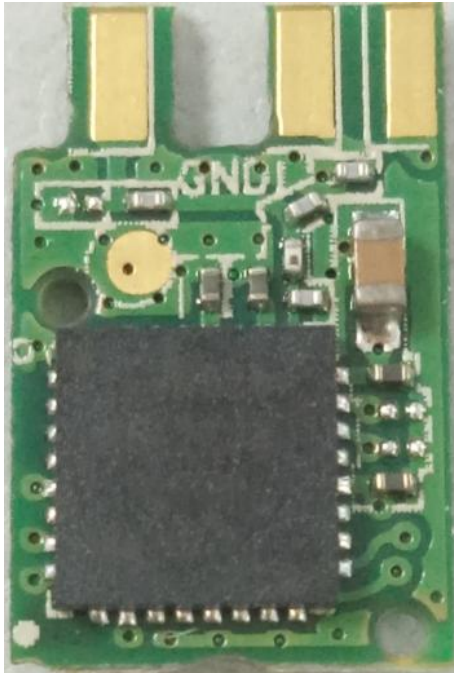
TEL: 0755-83949973 FAX:0755-82899448

E-mail:songmx@jingxunsoft.com



Content

1. Introduction.....	3
2. Features.....	3
3. Applications.....	4
4. Module Diagram.....	4
5. Module Schematic.....	6
6. Pins Description.....	6
7. Electronic Specification.....	6
8. Power Consumption.....	6
9. Antenna Specification.....	7
10. Ordering Information.....	7
11. Package.....	7
12. Reflow Profile.....	7
13. Application Design Note.....	8
14. Antenna Design.....	8



1. Introduction

The IPBM-03 featured with Ultra-small form factor is MESH Bluetooth Low Energy (BLE) solution which is fully Bluetooth 4.0 standard compliant and allows easy connectivity with Bluetooth Smart Ready devices. IPBM-03 supports BLE slave and master mode operation, including broadcast, encryption, connection updates, and channel map updates. It is RoHS-compliant and 100% lead (Pb)-free. With internal 512KBytes Flash and 16KB SDRAM(MESH8267-03), 32KB SDRAM(MESH8269-03) are programmable for more applications, 2 channels PWM.

Total 6 pins are easy installation with PCB-in-PCB assembly

2. Features

TLSR8267/TLSR8269F512 system on chip

- Built-in Flash 512KBytes
- Built-in 16KB SDRAM(TLSR8267),32KB SDRAM(TLSR8269)
- Compact size 8 x 9.6 x 2.5mm
- Up to 6 channels PWM
- Embedded Hardware AES
- Host Controller Interface (HCI) over UART, I2C and USB 2.0 in full speed
- Class 1 supported with 8dBm maximum TX power
- Operation Temperature: ET Version:-40 to 85 °C, AT version: -40°C~+125 °C
- Bluetooth 4.0 1Mbps, Boost Mode: 2Mbps
- TX RF Power: +7dBm
- RX :-92dBm BT4.0 Sensitivity

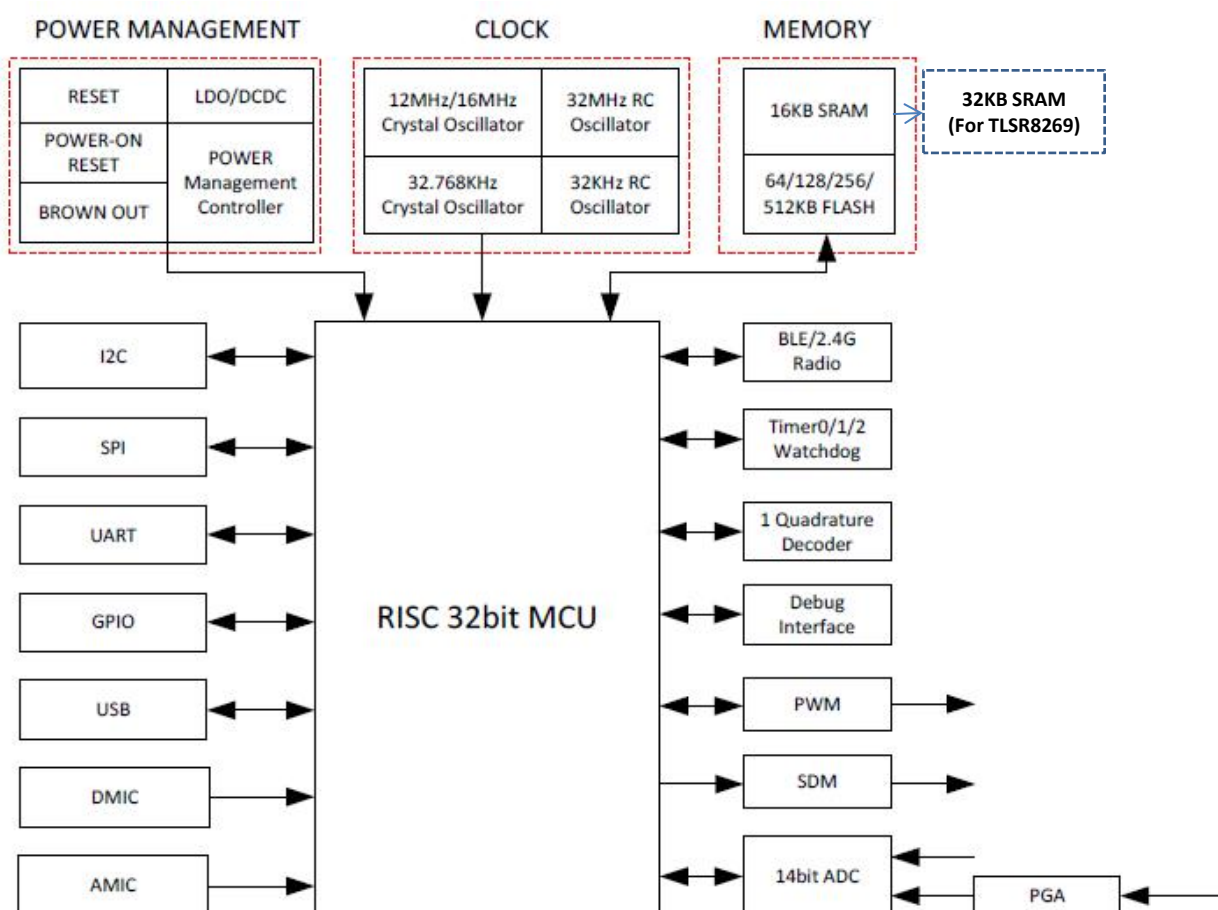
- RSSI Monitoring
- Embedded LDO
- Battery monitoring
- Low power consumption
- 100k program/erase, 20 years data retention

3. Applications

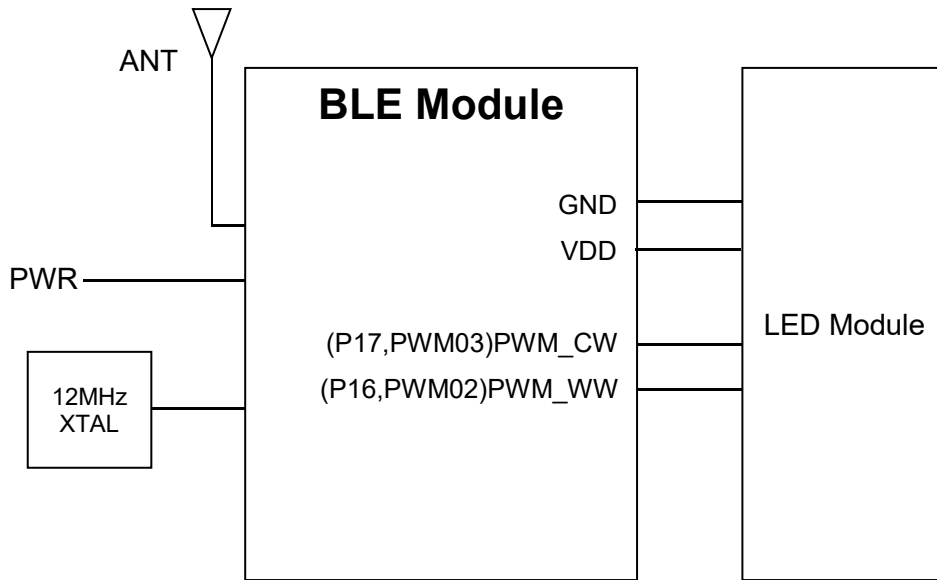
- LED Lighting Brightness Control
- LED Lighting Color Temperature Control
- Specially used in E14 candle light

4. Module Diagram

TLS8267/TLS8269 SoC diagram

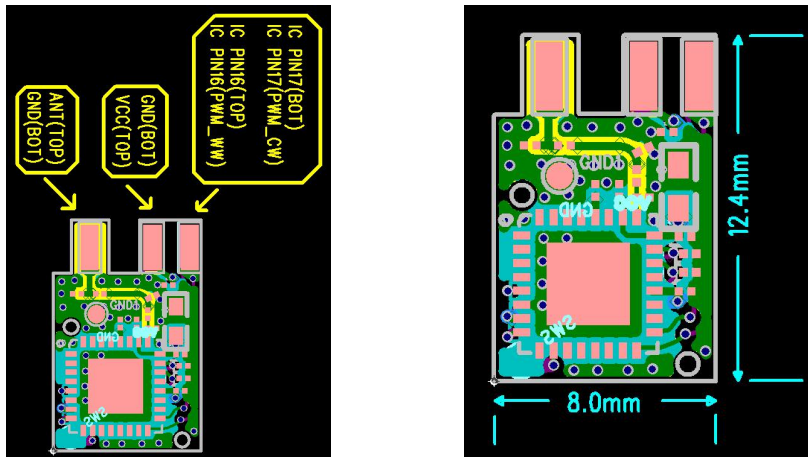


BLE Module 8 pins diagram



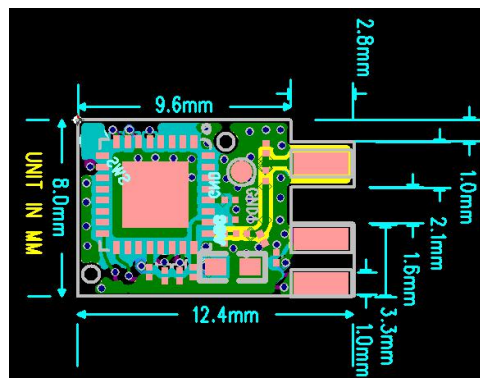
PCBA top view diagram

Pin Assignments Dimension (unit: mm)



Dimension Diagram

Dimension unit: mm



5. Module Schematic

Please further contact if needed.

6. Pins Description

Pin	NAME	Inter face	I/O	Description
1	ANT	Analog	-	Antenna port
2	RFGND	Power	-	RF Grounding
3	VCC	Power	-	DC 3.3V input, Max 3.6V, Min 3.0V
4	GND	Ground	-	Ground
5	PWM_WW	Analog	I/O	SoC TLSR8267/9F512 P16 PWM WARM WHITE(WW)
6	PWM_CW	Analog	I/O	SoC TLSR8267/9F512 P17 PWM COLD WHITE (CW)

7. Electronic Specification

Item	Specification
RF Transmitting Power Level	7 dBm Max
RF Receiver Sensitivity	-91 dBm at 1Mbps
Flash	512kb
Antenna	No Antenna
Linking Distance	30 M Out of Sight
RAM	16 KB x 32 bits
Data Rate	250 kbps, 500 kbps, 1 Mbps, 2 Mbps
Physical Connectors	9 holes PCB board edge stamp holes
Operation Voltage	2.9V to 3.6V
Operation Temperature	-40 to 125 °C
Security	128 Bit AES encryption
Interface	PWM, ANT, GPIO
EMC/BQB	BQB Approved

8. Power Consumption

Operation Mode	Consumption
Operation (TX/RX) 0dBm	30mA
Standby (Deep Sleep) depend on firmware	0.7uA (optional by firmware)

9. Antenna Specification

ITEM	UNIT	MIN	TYP	MAX
Frequency	MHz	2400		2500
V.S.W.R				2.0
Gain(AVG)	dBi	-0.15		
Maximum input power	W			1
Characteristics TYPE	Monopole antenna			
Polarization	---			
Radiated Pattern	Omni-directional			
Impedence	50			

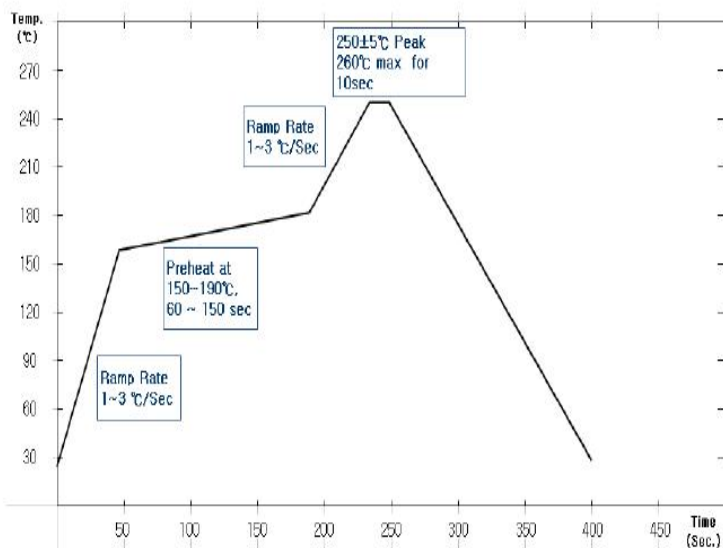
10. Ordering Information

Part Number	Description
MESH8267-03 V2.0	BT MESH Module MESH8267-03 V2.0 PCB-in 12.5*8MM
MESH8269-03 V2.0	BT MESH Module MESH8269-03 V2.0 PCB-in 12.5*8MM

11. Package

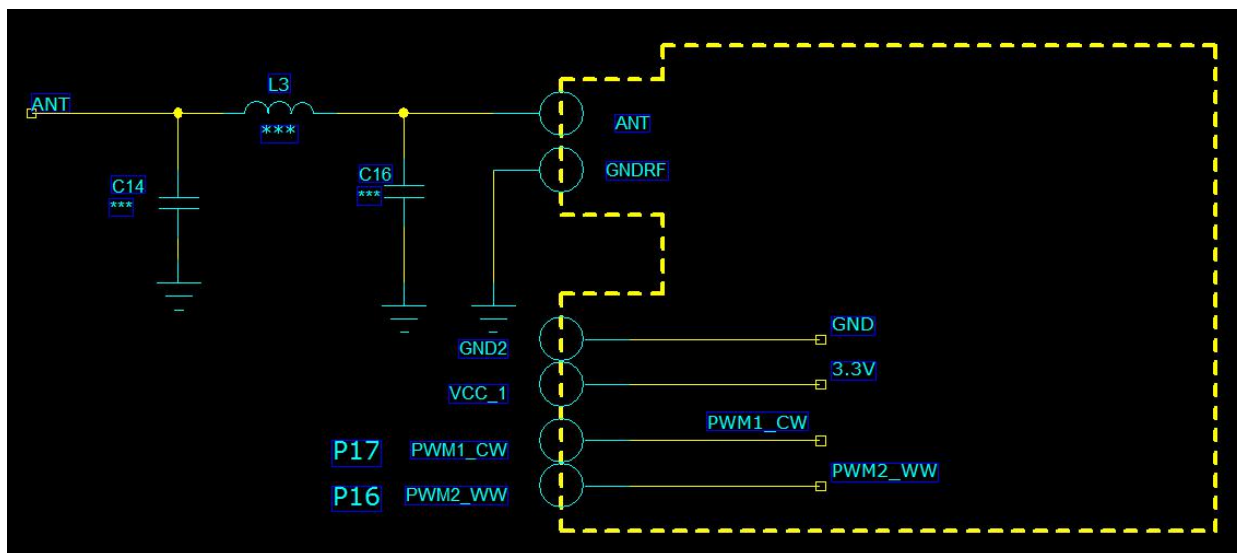
Tray plate: To Be Discussed

12. Reflow Profile



13. Application Design Note

A π -type RF matching network should be in series between antenna and ANT interface of BT module to fine tune the antenna matching.

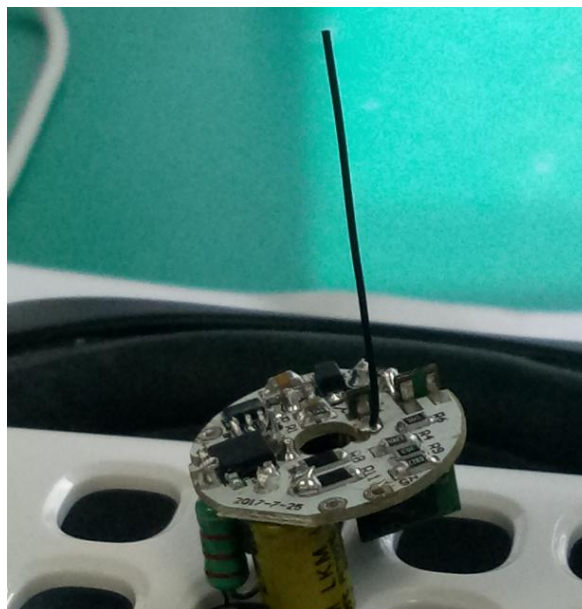


14. Antenna Design

An application example of mono-pole antenna for E27 bulb lamp.



Assembly finish goods



Mono-pole antenna



Module mounted

15. Critical Materials

Please further contact if needed.